

**VTÖ**  
Drehtechnik

DEUTSCH URKUNDE : Nr. 30 2011 000 726

# EcoMoto

## MAGLEV MOTOR TECHNOLOGY ULTRA PREMIUM EFFICIENCY





## History & Experience

Founded in Malaysia more than 10 years ago, we have a deep understanding of permanent magnet (PM) motor, electric vehicle (EV) motors and the industries where they are used. While the basic principles of the technology might not have changed much in that time, product performance, documentation and service have.

Today, we believe our extensive experience sets us apart while our focus on customers' needs has helped us to be the leading energy savings technology in the industry. Our deep understanding of the market and your needs is reflected in our flexible service and our product range. Wherever your company or project is located, we are ready to assist you in every possible way. Today, our Malaysia diversified cultures are reflected in our corporate culture where unity, respect and harmony shape the way we do our business.



## Quality

Our quality is our customer's satisfaction. We continually optimize our products, internal systems, processes and procedures to make sure that our solutions remain best-in-class. Constant focus on meeting customer needs and understanding of their risks and opportunities. We practice 100% QC in our motors before leaving our production line.

## Service & Flexibility

Service is in our DNA. You can expect an extremely fast response time, customized solutions, and a deep understanding of the industries we serve. No matter who we're dealing with, no matter which product or solution, and no matter which segment, we're determined to provide a level of service that will inspire maximum confidence among our customers. Great service is seen as an integral element of fast response, proactive approach, flexibility and solution oriented to our customers.



# ECOMOTO APPLICATIONS

## Suitable For :

RESIDENTIAL

AGRICULTURAL

TRANSPORTATION

COMMERCIAL

INDUSTRIAL

GAS, WATER UTILITIES



# ECOMOTO SPEED : 1500RPM

Model	Power	Voltage	'Y' Star Connection			Diameter (mm)	Shaft Length (mm)
	kW	Hz	Rpm	Torque	Amp		
VE0037-FA01HK-DSP	3.7kW	415V/50Hz	1500rpm	30Nm	8A	Ø28	60
VE0055-FA01HK-DSP	5.5kW	415V/50Hz	1500rpm	40Nm	11A	Ø38	80
VE0075-FA27HK-DSP	7.5kW	415V/50Hz	1500rpm	50Nm	14A	Ø38	80
VE0110-FB26HK-DSP	11kW	415V/50Hz	1500rpm	75Nm	20A	Ø42	110
VE0150-FB26HK-DSP	15kW	415V/50Hz	1500rpm	100Nm	27A	Ø42	110
VE0185-FB28HK-DSP	18.5kW	415V/50Hz	1500rpm	120Nm	32A	Ø48	110
VE0220-FB28HK-DSP	22kW	415V/50Hz	1500rpm	150Nm	38A	Ø48	110
VE0300-FB29HK-DSP	30kW	415V/50Hz	1500rpm	200Nm	53A	Ø55	110
VE0370-FB30HK-DSP	37kW	415V/50Hz	1500rpm	240Nm	65A	Ø60	140

**Note:** EcoMoto Power Rating from 2.2kW to 500kW are available. Custom specification made to order.

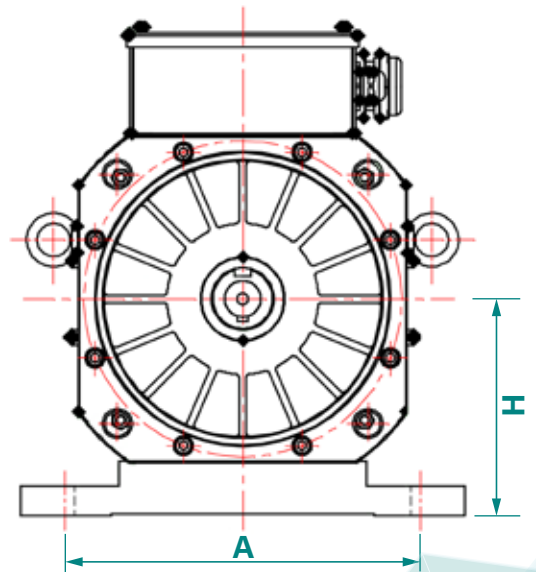
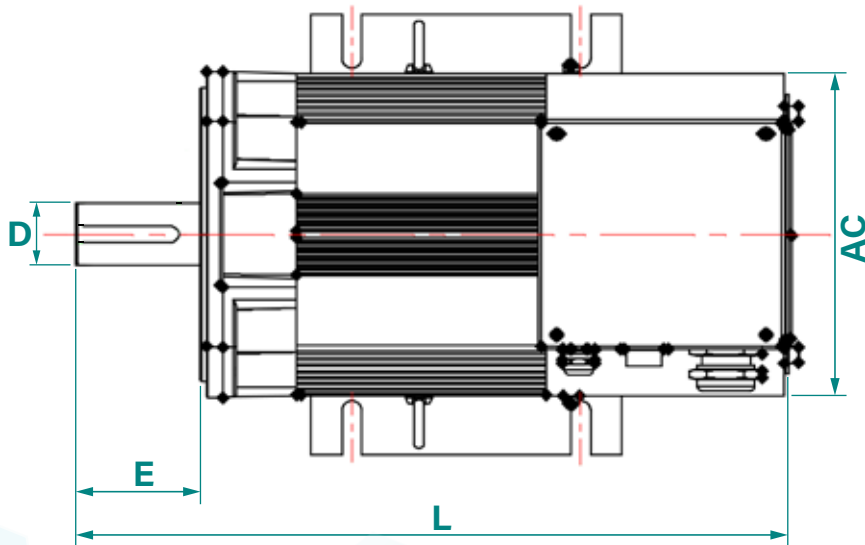
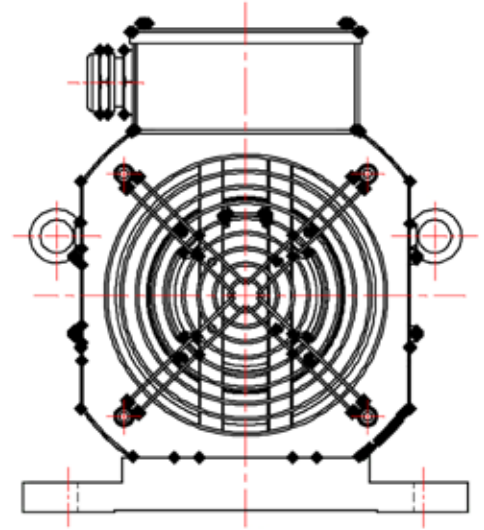
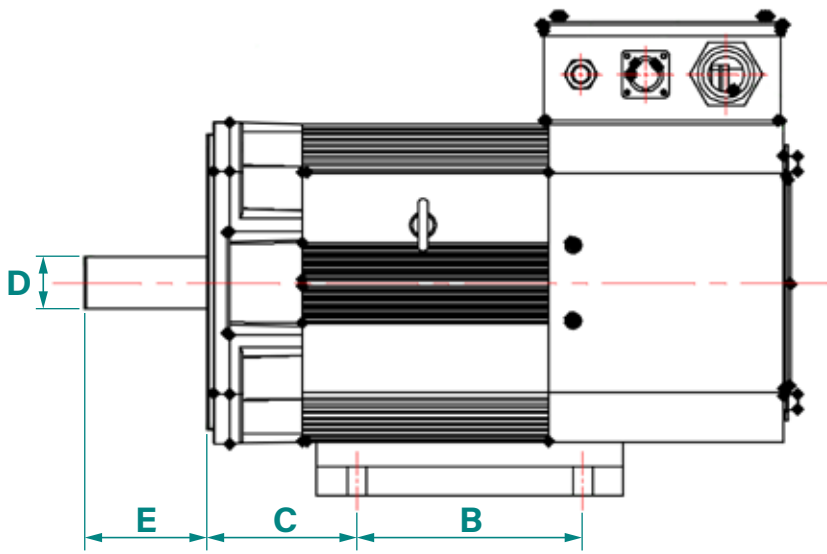


# ECOMOTO SPEED : 3000RPM

Model	Power	Voltage	'Δ' Delta Connection			Diameter (mm)	Shaft Length (mm)
	kW	Hz	Rpm	Torque	Amp		
VE0037-FA01HK-DSP	3.7kW	415V/50Hz	3000rpm	15Nm	8A	Ø28	60
VE0055-FA01HK-DSP	5.5kW	415V/50Hz	3000rpm	20Nm	10A	Ø38	80
VE0075-FA27HK-DSP	7.5kW	415V/50Hz	3000rpm	25Nm	13A	Ø38	80
VE0110-FB26HK-DSP	11kW	415V/50Hz	3000rpm	37Nm	19A	Ø42	110
VE0150-FB26HK-DSP	15kW	415V/50Hz	3000rpm	50Nm	26A	Ø42	110
VE0185-FB28HK-DSP	18.5kW	415V/50Hz	3000rpm	60Nm	31A	Ø48	110
VE0220-FB28HK-DSP	22kW	415V/50Hz	3000rpm	75Nm	37A	Ø48	110
VE0300-FB29HK-DSP	30kW	415V/50Hz	3000rpm	100Nm	51A	Ø55	110
VE0370-FB30HK-DSP	37kW	415V/50Hz	3000rpm	120Nm	62A	Ø60	140

**Note:** EcoMoto Power Rating from 2.2kW to 500kW are available. Custom specification made to order.

# DIMENSIONS



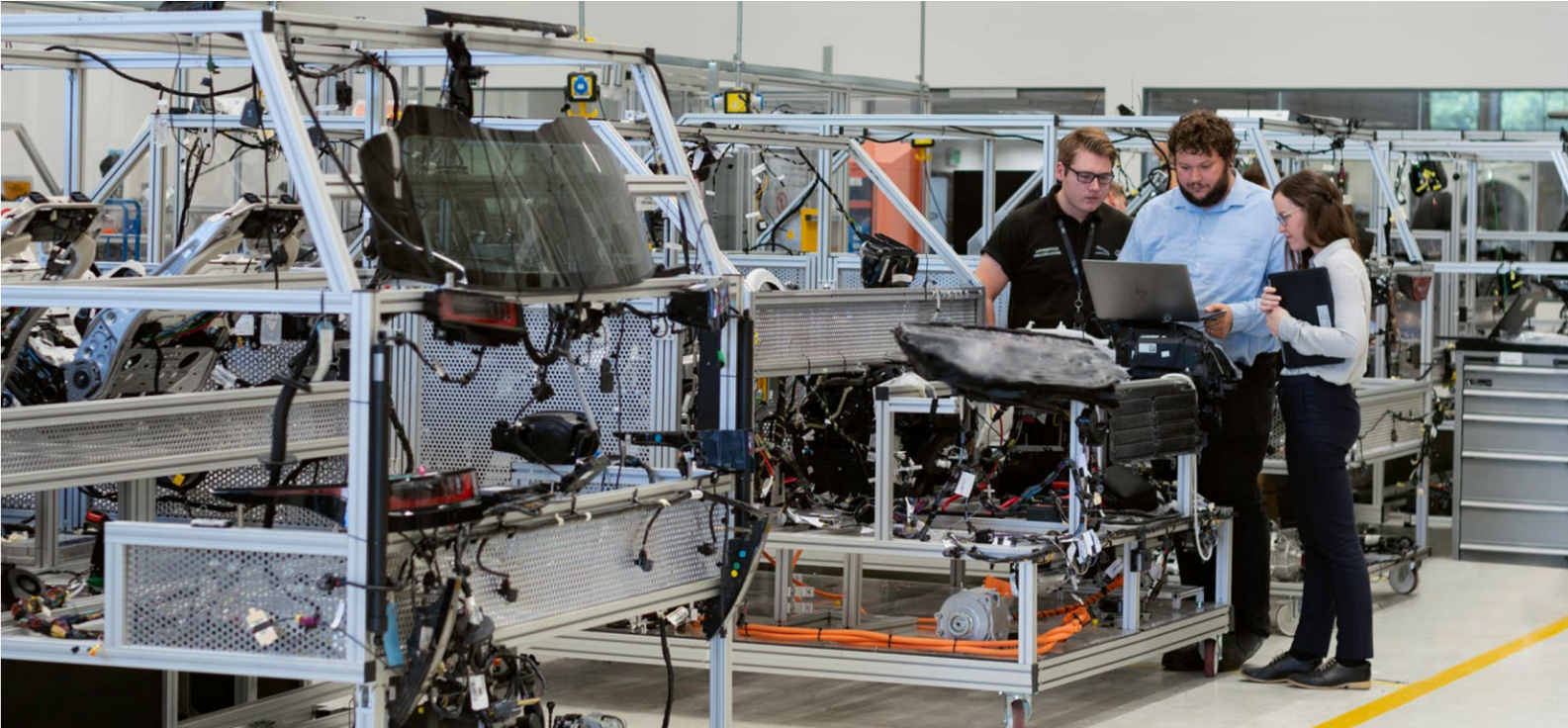
Power kW	Measurement, mm							
	A	B	AC	D	E	EC	H	L
3.7	190	140	200	28	60	130	110	433
5.5	216	140	200	38	80	169	132	433
7.5	216	140/178	267	38	80	169	132	545
11	254	210	267	42	110	218	160	545
15	254	210	267	42	110	218	160	545
18.5	279	241	267	48	110	231	180	630
22	279	241/279	267	48	110	231	180	630
30	318	305	267	55	110	243	200	690
37	356	286	267	60	140	289	225	750

**Note:** EcoMoto Power Rating from 2.2kW to 500kW are available. Custom specification made to order.

# PROJECT EXAMPLE 1 IN MALAYSIA

## WATER WASTE PUMP 18.5KW / 1,450RPM

### BEFORE & AFTER (PLUG & PLAY ECOMOTO)



\*Note: Photo above is not the actual location on the tested EcoMoto below. Please contact us for more info.

BEFORE

18.5kW



1,450Rpm

AFTER

18.5kW



1,450Rpm

SAVINGS  
15-35%

BEFORE

35.9A



1,450Rpm

AFTER

19.0A



1,450Rpm

# PROJECT EXAMPLE 2 IN MALAYSIA

## CONDENSER WATER PUMP 15kW / 1,450RPM

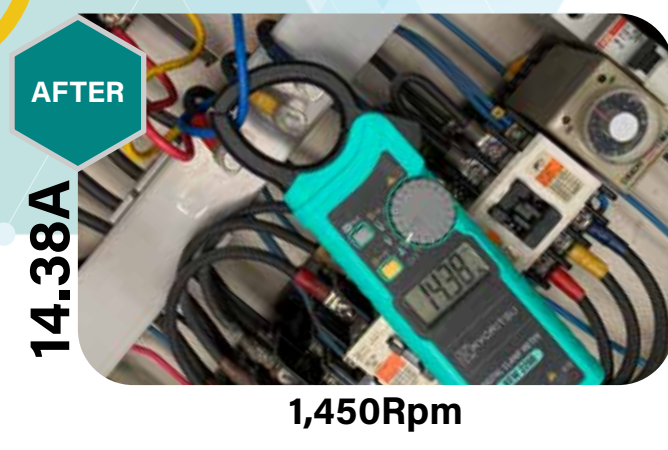
### BEFORE & AFTER (PLUG & PLAY ECOMOTO)



\*Note: Photo above is not the actual location on the tested EcoMoto below. Please contact us for more info.



SAVINGS  
15-35%





# PROJECT EXAMPLE 3 IN MALAYSIA

## CONDENSER WATER PUMP 11KW / 1,450RPM BEFORE & AFTER (PLUG & PLAY ECOMOTO)



\*Note: Photo above is not the actual location on the tested EcoMoto below. Please contact us for more info.

BEFORE

11kW



1,450Rpm

AFTER

11kW



1,450Rpm

SAVINGS  
15-35%

BEFORE

16.59A



1,450Rpm

AFTER

9.74A



1,450Rpm

# PROJECT EXAMPLE 4 IN MALAYSIA

## AIR HANDLING UNIT (AHU) 5.5KW / 1,450RPM

### BEFORE & AFTER (PLUG & PLAY ECOMOTO)



\*Note: Photo above is not the actual location on the tested EcoMoto below. Please contact us for more info.

BEFORE

5.5kW



1,450Rpm

AFTER

5.5kW



1,450Rpm

SAVINGS  
25-55%

BEFORE

7.5A



1,450Rpm

AFTER

2.3A



1,450Rpm

# ECOMOTO DYNO TEST



## Our Testing Center

Our testing centre is designed to handle on-demand testing of our motors. Without involving third party test centre, we are able to perform various tests according to IEC 60034-2-1 on a day-to-day basis.



## The testing we perform on each motors are:

- Winding resistance
- Full load test
- Temperature rise test
- No load test
- Locked rotor test
- Over load test
- Noise and vibration test



# EcoMoto

**100%**  
NEW OR  
RETROFIT

**PREMIUM  
ENERGY  
SAVING**

**NEW  
PRODUCT**

**VTÖ**

Drehtechnik

DEUTSCH URKUNDE : Nr. 30 2011 000 726